



HAWK ENTERPRISES, INC

THE RAPTOR SERIES



Hawk Enterprises
2902 Park Six Court
Elkhart, IN 46514

Phone: 574-294-1910
Toll Free: 888-289-4295

Fax: 574-970-0289
Toll Free 866-429-5329

Machine Specifications	1
Important Safety Instructions.....	2
Grounding Instructions	3-4
Operations	4
Guidelines For Operations	4
Controls.....	5
Adjustments.....	6
Cord Storage	6
Clean Up And Storage	6
Floor Machine Assemblies.....	7
Floor Machine Parts List.....	7-8
Optional Accessories.....	9
Features	9
Limited Warranty	Back Cover

SERVICE INFORMATION

To obtain consistent performance over the life of your equipment, read through these instructions and save them for future reference. If you require service, contact the dealer from which the machine was purchased or an authorized service station.

Always refer to your limited Warranty for complete service information.

The model, type, and serial number are indicated on the data plate on the side of the handle. From prompt and complete service, refer to these numbers when inquiring about service.

SERIAL NO.		MODEL
VOLTS	PHASE	HZ
MOTOR	AMPS	H.P.

Write the model and serial number of your unit in the space provided. Refer to the data plate on unit.	
SERIAL #	MODEL #
Retain this owners manual for future reference.	

IMPORTANT SAFETY INSTRUCTIONS

When using an electrical appliance, basic precautions should always be followed, including the following:



WARNING:

ELECTRIC SHOCK CAN CAUSE SERIOUS INJURY OR BE FATAL. PLEASE READ THE FOLLOWING INSTRUCTIONS ON THE USE AND OPERATIONS OF FLOOR FINISHING MACHINES.

- Your floor machine is equipped with a safety switch lock and power switch triggers designed for your safety. Do not attempt to bypass or defeat the safety switch lock. Never use any device to lock the power switch triggers in the “ON” position.
- Do not leave the floor machine plugged in. Turn off the switch and unplug the electrical cord when not in use and before servicing or changing the brushes or pads.
- Do not allow the machine to be used as a toy. Close attention is necessary when used near children. Do not leave the machine connected to an electrical outlet unattended.
- Use only as described in this manual. Use only manufacturer’s recommended attachments.
- Do not use with a damaged cord or plug. If the machine is not working as it should, has been dropped, damaged, or left outdoors, return it to a service center before using.
- Use care to keep the electrical supply cord around sharp edges or corners. Keep the cord away from the heated surfaces.
- Connect to properly grounded (3-wire) outlet only. Refer to Grounding Instructions, Page 4-5.
- Do not use extension cords or outlets with inadequate current carrying capacity.
- Turn off all controls before unplugging.
- Do not unplug by pulling on the cord. To unplug, grasp the plug and pull.
- Do not handle the plug or floor machine with wet hands.
- Wind the cord no tighter than is necessary to retain it during storage. Refer to Cord Storage, Page 9.
- Use extra care when working on or near stairs.
- Do not use in conjunction with flammable or combustible liquids such as gasoline, or use in areas where explosive vapor or dust may be present.
- Store your floor machine indoors in a cool, dry area.
- Keep your work area well lighted.
- **WARNING:** To avoid electrical shock, use indoor only.



WARNING:

RISK OF EXPLOSION. FLOOR SANDING MACHINE CAN RESULT IN AN EXPLOSIVE MIXTURE OF FINE DUST AND AIR. USE FLOOR SANDING MACHINE ONLY IN A WELL-VENTILATED AREA, FREE FROM ANY FLAME OR MATCH

GROUNDING INSTRUCTIONS

This appliance must be grounded. If it should malfunction or break down, grounding provides a path of least resistance for electric current to reduce the risk of electric shock. This appliance is equipped with a cord that has an equipment-grounding conductor and grounding plug. The plug must be plugged into an appropriate outlet that is properly installed and grounded in accordance with all local codes and ordinances.

FOR FLOOR FINISHING MACHINES RATED LESS THAN 150 VOLTS

Improper connection of an equipment grounding conductor can result in risk of electric shock. Check with a qualified electrician or service person if you are in doubt as to whether the outlet is properly grounded. Do not modify the plug provided with the appliance. If it will not fit the outlet, have a proper outlet installed by a qualified electrician. This appliance is for use on a nominal 120 volt circuit and has a grounding plug that looks like the plug illustrated in Figure 1.

A temporary adapter which looks like the adapter illustrated in Figure 2 may be used to connect this plug to a two pole receptacle, as shown, if a properly grounded outlet is not available. The temporary adapter should be used only until a properly grounded outlet (Figure 1) can be installed by a qualified electrician. The green colored rigid ear, lug, or the like extending from the adapter must be connected to a permanent ground such as a properly grounded outlet box cover. Whenever the adapter is used, it must be held in place by metal screw.

FOR FLOOR FINISHING MACHINES RATED 150-220 VOLTS:

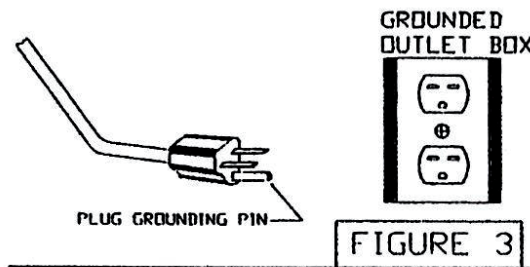
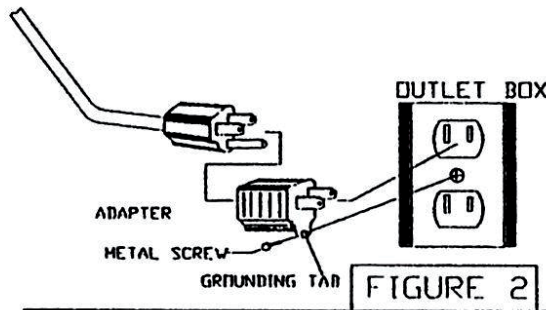
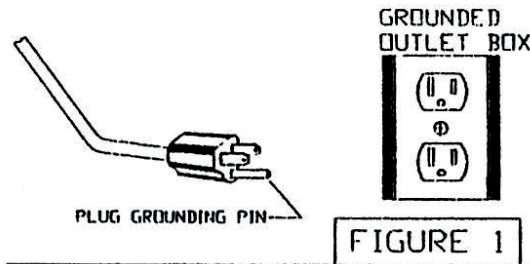
If the machine is provided with an attachment plug cap as shown in Figure 3, it is intended for use on a 240 volt (nominal) circuit. No adapter is available for this cap.



WARNING:

DO NOT USE GROUNDING ADAPTERS ON FLOOR MACHINES IN CANADA. CHECK WITH CANADIAN CODE FOR PROPER EQUIPMENT USAGE. IMPROPER USE OF GROUND ADAPTORS CAN CAUSE SERIOUS INJURY, FIRE, OR BE FATAL.

Grounding Instructions (Continued)

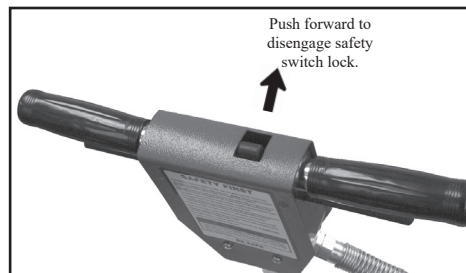


CONTROLS

TO TURN THE MACHINE ON

The operating handle must be lowered and locked to the proper operating position before switching the machine ON. Place both hands firmly on the handle grips with your fingers around the power triggers. **Do NOT** apply pressure on the triggers before the safety switch lock is disengaged.

Disengage the safety switch lock by pushing it forward with one thumb. Then, while holding the safety switch lock in the disengaged position, squeeze the power triggers toward the handle grips and return your thumb to the handle grip.



To stop the machine, simply release the triggers. The safety switch lock will automatically return to the engaged position.

GUIDELINES FOR OPERATION

- Your floor machine is a very sensitive, powerful unit. When in operation, it should be guided gradually and smoothly without sudden or rough motions. You will want to practice with your machine on a smooth surface until you have experience in operating it.
- For ease of operation, always keep the brush or pad surface level, balanced, and flat on the floor at all times.
- Always adjust the operating handle to a comfortable height at which the brush or pad surface is balanced before starting the machine. (See Handle Adjustment Page 4)
- Your floor machine will operate differently on various surfaces. For example, there will be much more resistance when the machine is used with a brush on carpeted surfaces than when it is used with a pad on a smooth surface. The operator should be prepared to adjust for these differences.
- **BEGIN OPERATING THE FLOOR MACHINE WITH THE BRUSH OR PAD SURFACE LEVEL, BALANCED AND FLAT ON THE FLOOR.**
- To move the machine to the right, slowly apply slight upward pressure on the handle.
- To move the machine to the left, slowly apply slight downward pressure on the handle.
- To move the machine forward or backward, keep the brush or pad flat on the floor and push or pull the machine in the desired direction.

DO NOT LET THE MACHINE REST ON THE PAD OR BRUSH FOR AN EXTENDED PERIOD OF TIME. This may alter the shape of the pad or brush which may cause the machine to wobble

ADJUSTMENTS

HANDLE ADJUSTMENT

The handle can be adjusted to any desired work position by simply pushing up on the handle lock (Figure 5). Move the handle to the desired position, then firmly push down on the handle lock which will lock the handle in position.



Figure 5

HANDLE CAM LOCK ADJUSTMENT

With the handle cam lock in the “up” position (unlocked), tighten the adjusting nuts until there is a slight drag when the handle is raised or lowered. The tube should be locked securely when the handle lock is pressed downward (Figure 6).

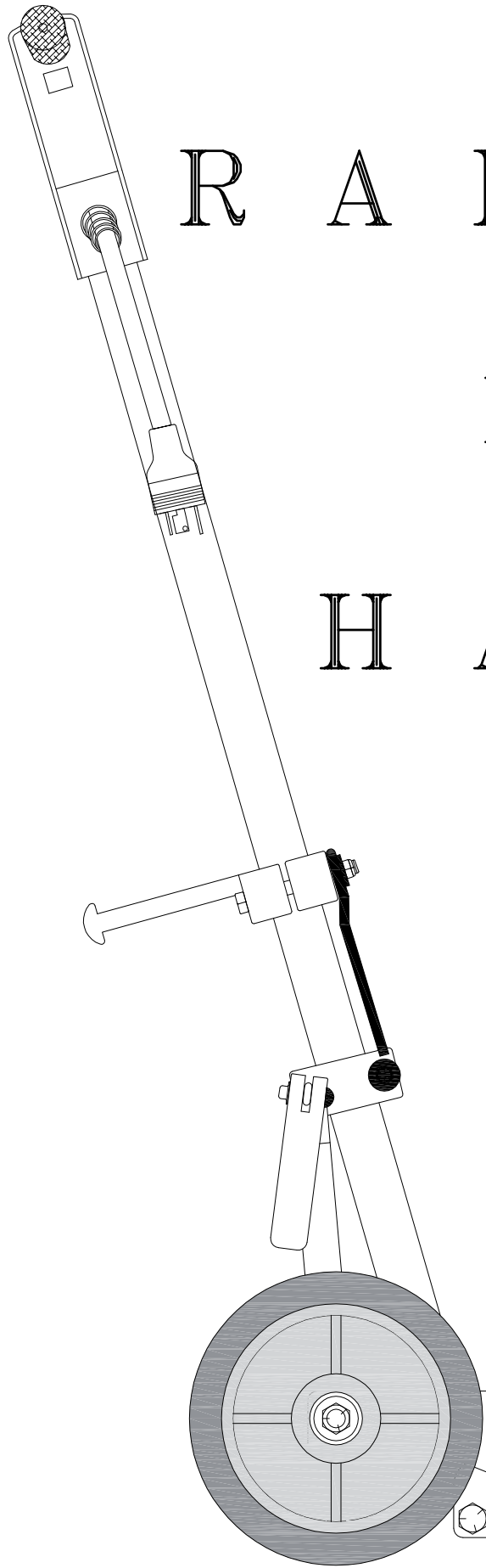


Figure 6

ADJUSTING NUT

CLEANUP AND STORAGE

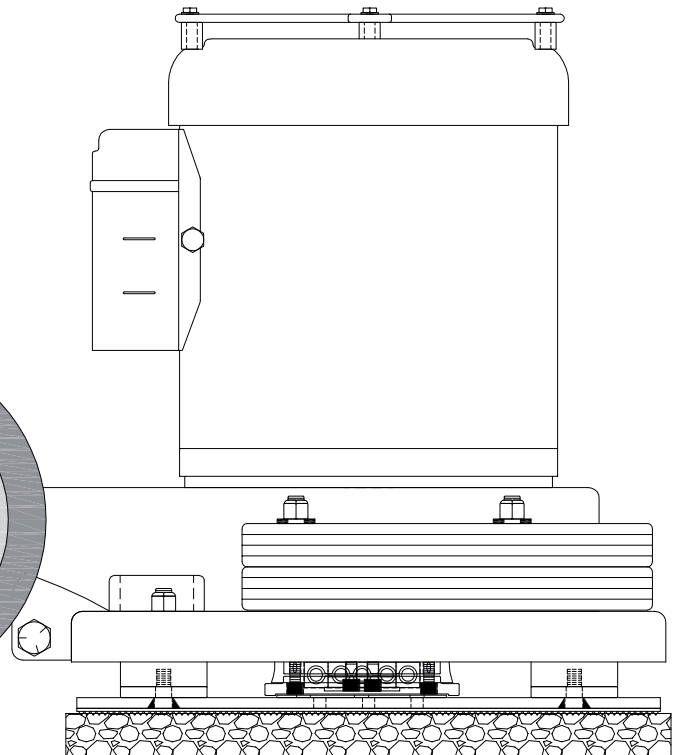
After being used, your floor machine can be wiped clean with a soft damp cloth and should be stored in a clean, dry place.

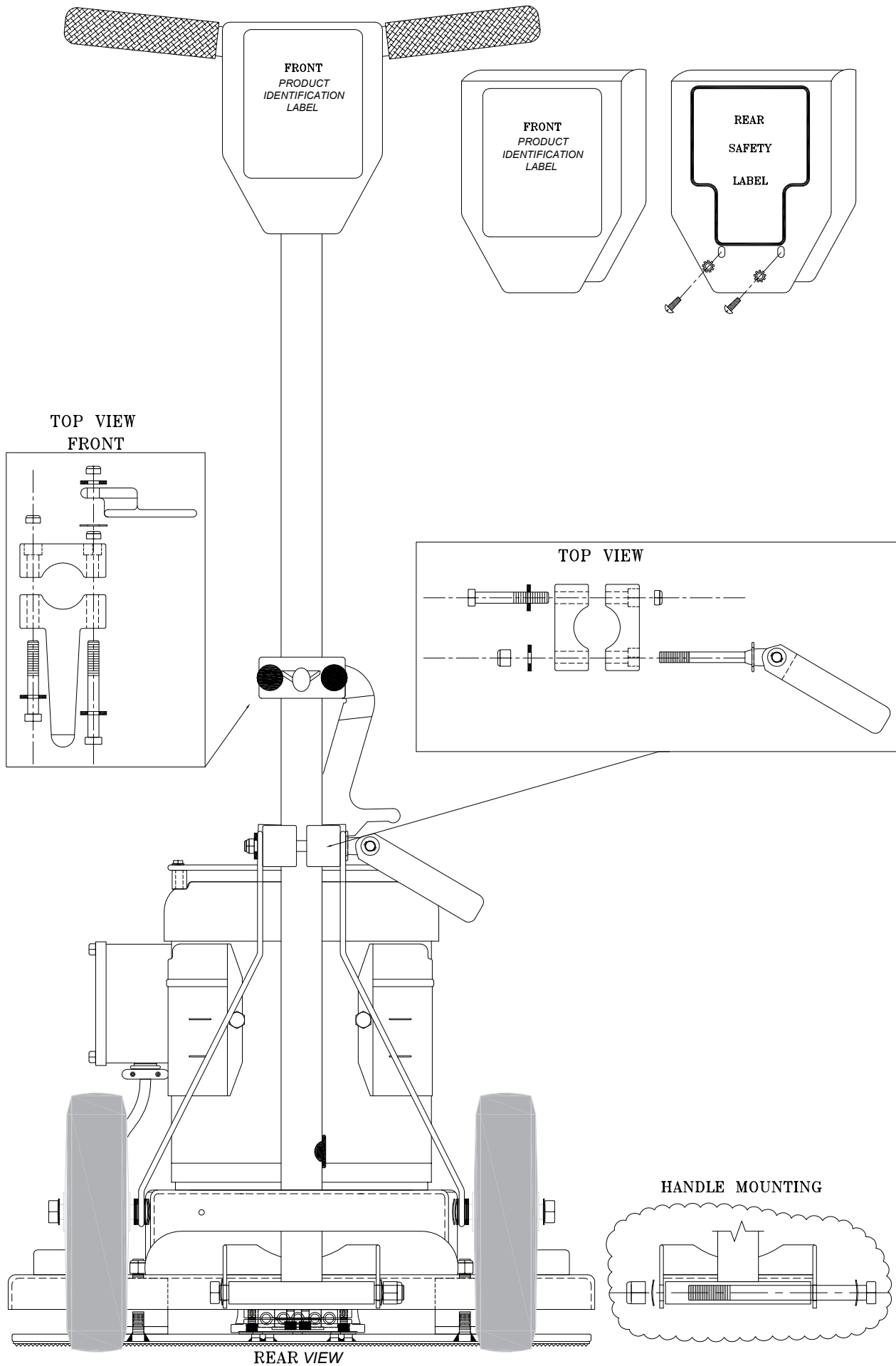


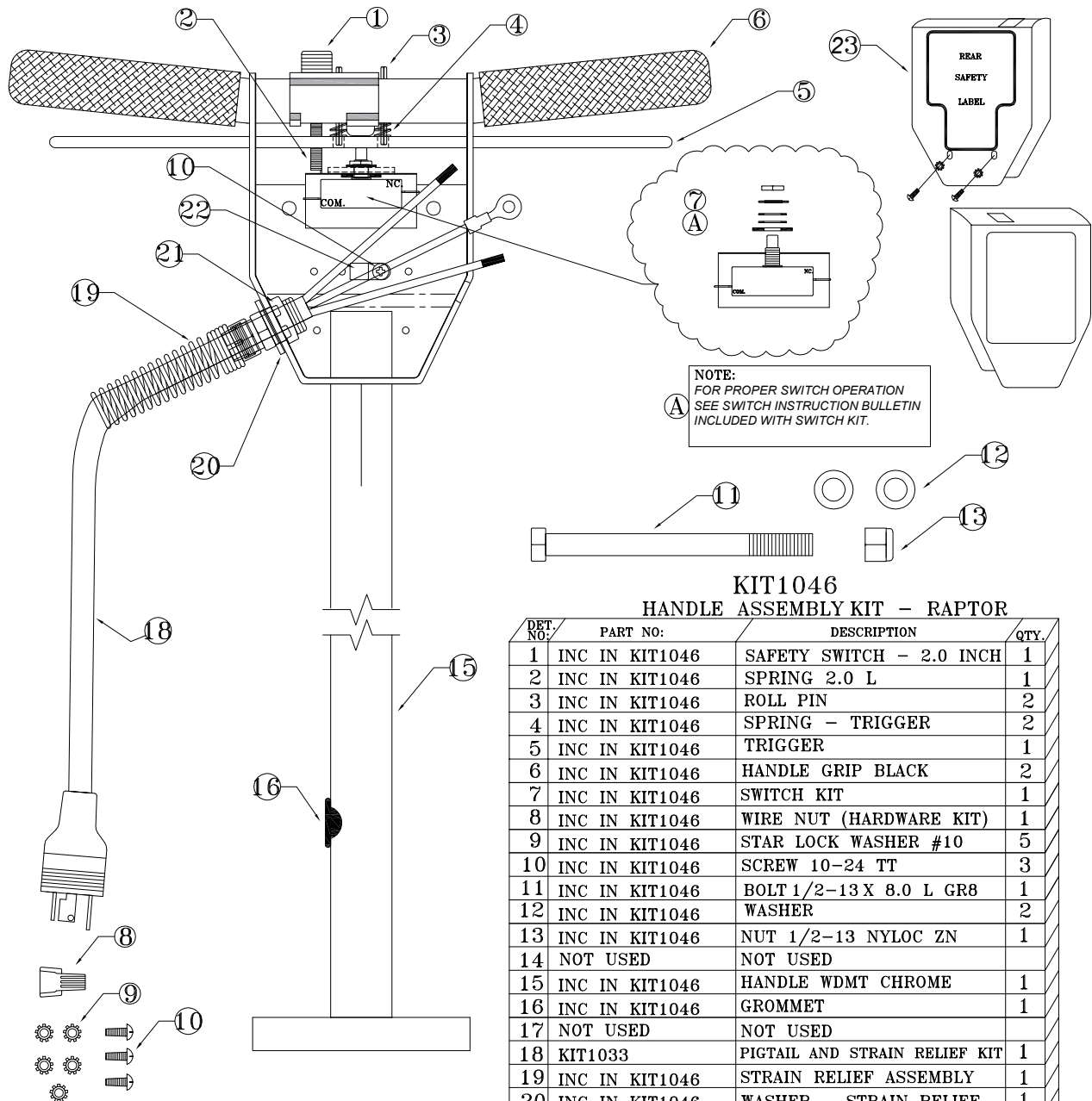
R A P T O R

B Y

H A W K



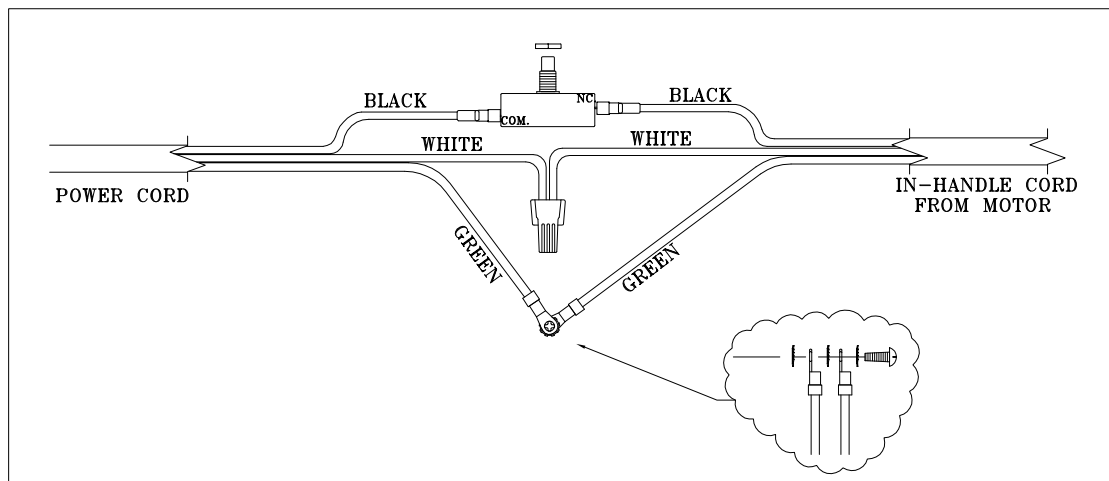


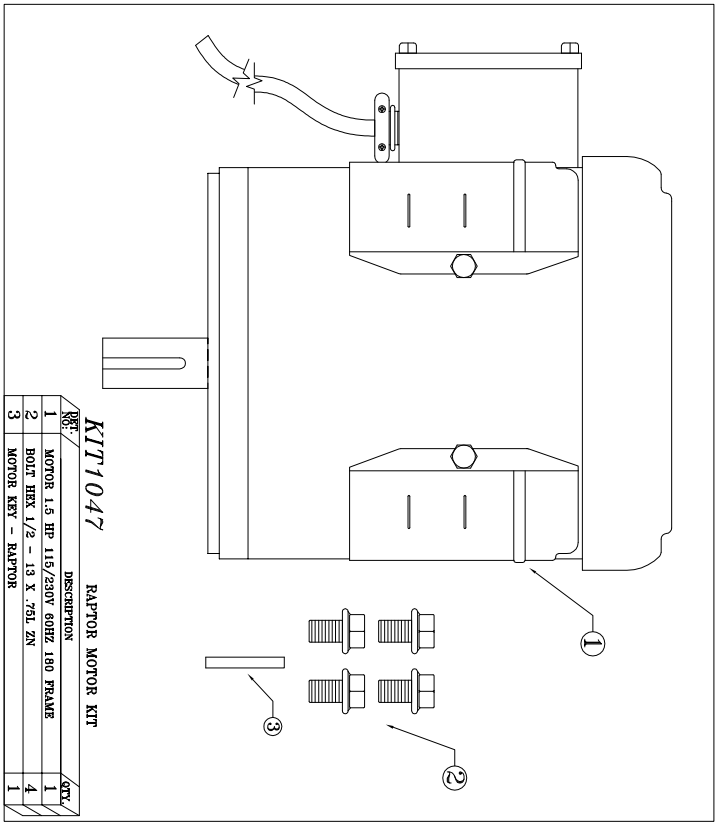


**KIT1046
HANDLE ASSEMBLY KIT - RAPTOR**

DET. NO.	PART NO.	DESCRIPTION	QTY.
1	INC IN KIT1046	SAFETY SWITCH - 2.0 INCH	1
2	INC IN KIT1046	SPRING 2.0 L	1
3	INC IN KIT1046	ROLL PIN	2
4	INC IN KIT1046	SPRING - TRIGGER	2
5	INC IN KIT1046	TRIGGER	1
6	INC IN KIT1046	HANDLE GRIP BLACK	2
7	INC IN KIT1046	SWITCH KIT	1
8	INC IN KIT1046	WIRE NUT (HARDWARE KIT)	1
9	INC IN KIT1046	STAR LOCK WASHER #10	5
10	INC IN KIT1046	SCREW 10-24 TT	3
11	INC IN KIT1046	BOLT 1/2-13 X 8.0 L GR8	1
12	INC IN KIT1046	WASHER	2
13	INC IN KIT1046	NUT 1/2-13 NYLOC ZN	1
14	NOT USED	NOT USED	
15	INC IN KIT1046	HANDLE WDMT CHROME	1
16	INC IN KIT1046	GROMMET	1
17	NOT USED	NOT USED	
18	KIT1033	PIGTAIL AND STRAIN RELIEF KIT	1
19	INC IN KIT1046	STRAIN RELIEF ASSEMBLY	1
20	INC IN KIT1046	WASHER - STRAIN RELIEF	1
21	INC IN KIT1046	NUT - STRAIN RELIEF	1
22	INC IN KIT1046	LOOP CLAMP - IN HANDLE CORD	1
23	KIT3008RED	SWITCH BOX COVER KIT	1
24	NOT USED	NOT USED	

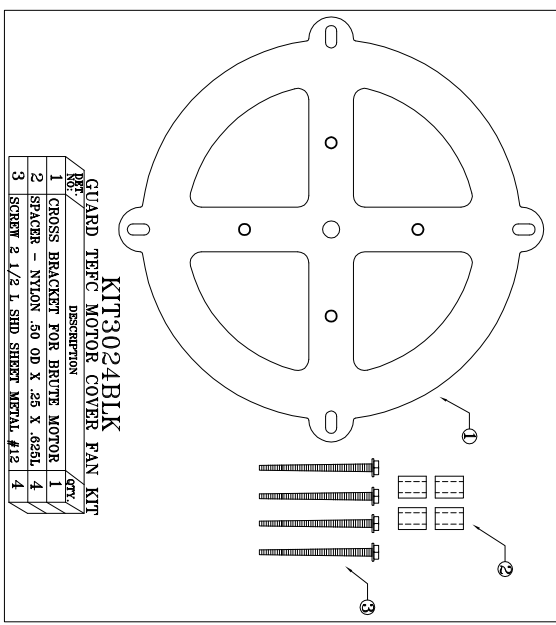
**NOTE: KIT3008RED & KIT1033
NOT INCLUDED IN KIT1046**





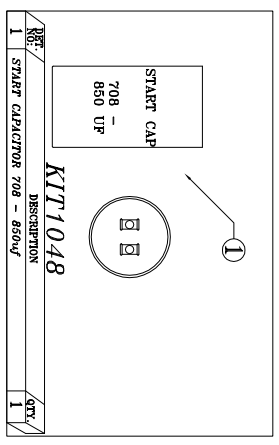
REF. NO.	DESCRIPTION	QTY.
1	MOTOR 1.5 HP 115/230V 60HZ 180 PHASE	1
2	BOLT HEX 1/2 - 13 X .75L ZN	4
3	MOTOR KEY - RAPTOR	1

KIT1047 RAPTOR MOTOR KIT



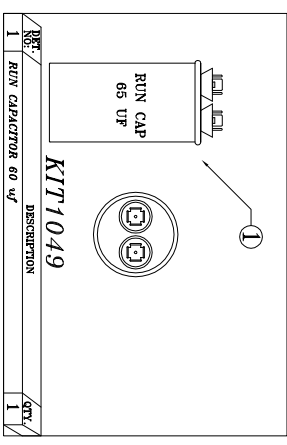
REF. NO.	DESCRIPTION	QTY.
1	CROSS BRACKET FOR BRUTE MOTOR	1
2	SPACER - NYLON .50 OD X .25 X .652L	4
3	SCREW 2 1/2 L SHD SHEET METAL #12	4

KIT3024BLK GUARD TERC MOTOR COVER FAN KIT



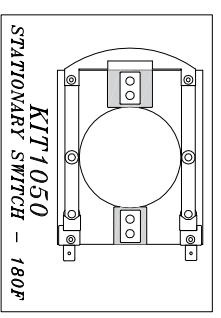
REF. NO.	DESCRIPTION	QTY.
1	START CAPACITOR 708 - 850uF	1

KIT1048

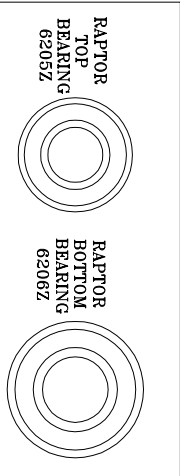


REF. NO.	DESCRIPTION	QTY.
1	RUN CAPACITOR 60 uF	1

KIT1049

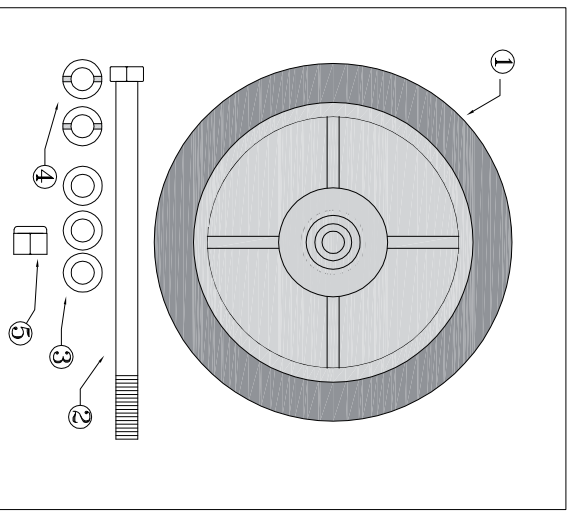


KIT1050 STATIONARY SWITCH - 180P



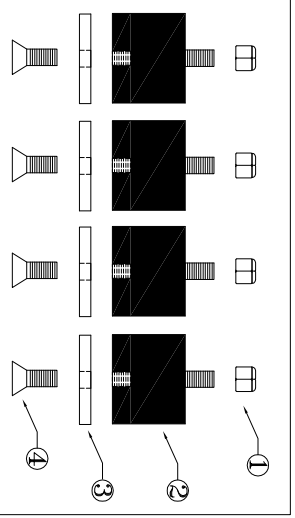
REF. NO.	DESCRIPTION	QTY.
1	TOP BEARING FOR E0030HDM-RAP	1
2	BOTTOM BEARING FOR E0030HDM-RAP	1

KIT2058 BEARING - TOP/BOTTOM FOR E0030HDM-RAP



REF. NO.	DESCRIPTION	QTY.
1	WHEEL KIT 8" X 2.0" X .50 GRAY W/BB	1
2	NUT 3/8 X 2.0" RAPTOR	1
3	BOLT GRADE 8 (1/2-13 X 6) ZINC	1
4	WASHER ZINC PLATED STEEL	3
5	WASHER SPRING .515 ID ZINC	2
6	NUT -1/2-13 INCH NYLON - ZINC	1

KIT2053



REF. NO.	DESCRIPTION	QTY.
1	PRIMARY VIBRATION ISOLATOR 2.0 INCH - KIT (4)	4
2	NUT 3/8 -16 HEX NYLOC BIK ZN	4
3	ISOLATOR CYLINDRICAL 2.0 INCH	4
4	SPACER NYLON 2.0L X 1/4 TK	4
5	SCREW -3/8-16X1 FHS STAINLESS STEEL	4

KIT2050

KIT3014
CAP/CAP HANDLE LOCK W/CAM LOCK ASSY - BLK

REF. NO.	DESCRIPTION	QTY.
1	HANDLE LOCK CAM BLACK	1
2	WASHER FLAT BLK OXIDE 3/8	2
3	NUT HEX NYLCK BLK ZC 3/8 X 16	1
4	BOLT 3/8 - 16X2-1/2H.C.S.GR8 BL	1
5	NUT LOCK THN FLEX .375-16	1
6	NOT USED	
7	CRD HOOK CAP - HANDLE LOCK CLAMP	2

KIT1033
PIGTAIL AND STRAIN RELIEF KIT

REF. NO.	DESCRIPTION	QTY.
1	POWER CORD - PIGTAIL	1
2	STRAIN RELIEF	1
3	WSHR .890X1.5X.104 STRRLF	1
4	NUT /NEER L 100	1

KIT3008RAP
SWITCH BOX KIT - RAPTOR

REF. NO.	PART NO.	DESCRIPTION	QTY.
1		SWITCH BOX COVER	1
2		LABEL REAR SAFETY WARNING	1
3		LABEL FRONT RAPTOR	1
4		WASHER #10 EXT TOOTH LCK	2
5		SCREW 10-24 X .50L TT	2

KIT3011HSV
TRIGGER REPLACEMENT KIT 14 INCH

REF. NO.	DESCRIPTION	QTY.
1	TRIGGER 14 INCH	1
2	SPRING TRIGGER	2
3	ROLL PIN 1/8 X 1.75L	2

KIT2006
SAFETY SWITCH KIT

REF. NO.	DESCRIPTION	QTY.
1	SAFETY SWITCH - 2.0 INCH	1
2	SPRING 2.0 LNG	1

KIT2011GRY
HANDLE GRIP KIT - GRAY

REF. NO.	DESCRIPTION	QTY.
1	HANDLE GRIP - GRAY	2

KIT3043
POWER LOCK KIT FOR WEIGHTED UNITS

REF. NO.	DESCRIPTION	QTY.
1	POWER LOCK - BLK	1
2	CORD HOOK CAP - BLK	1
3	CORD HOOK BODY - BLK	1
4	BOLT 3/8-16 X 2.0L GR8	1
5	BOLT 3/8-16 X 3.25L GR8	1
6	WASHER FLAT 3/8 BLK	3
7	NUT 3/8-16 NYLOC THNN	3
8	WASHER NYLON FLAT .932 OD	1

KIT2005
STRAIN RELIEF ASSY.

KIT2026-2
HANDLE MOUNTING KIT - RAPTOR

REF. NO.	DESCRIPTION	QTY.
1	BOLT 1/2-13 X 6.0L GR8	1
2	WASHER SPRING	2
3	NUT 1/2-13 FULL NYLOC	1

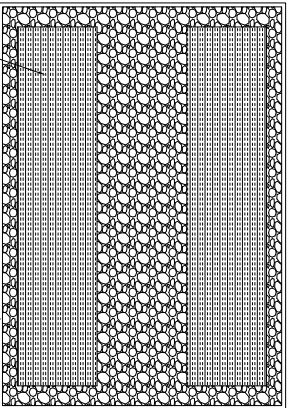
KIT2071
HARDWARE KIT HANDLE - RAPTOR

REF. NO.	DESCRIPTION	QTY.
1	BOLT 1/2-13 X 6 GR8 ZN	1
2	WASHER SPRING - ZN	2
3	NUT 1/2-13 FULL - NYLOC	1
4	SCREW #10-24 X .500L	4
5	STAR WASHER #10	5
6	GROMMET HANDLE	1
7	WIRE NUT	1
8	LOOP CLAMP .375	1

KIT1005
MAIN SWITCH ASSY. KIT

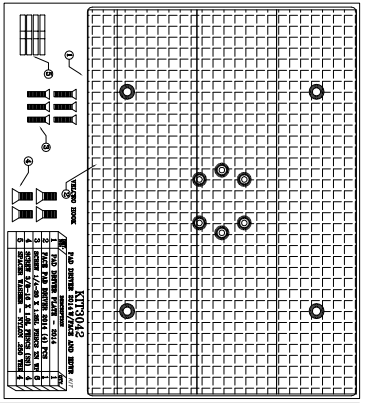
REF. NO.	DESCRIPTION	QTY.
1	MAIN ON/OFF SWITCH	1
2	WASHER INTERNAL TOOTH LOC 3/8	1
3	WASHER FLAT 5/16 USS ZINC	1
4	WASHER ZINC PLATED STEEL	2

NOTE:
DETAIL 3 & 4 ARE USED AS REQUIRED FOR PROPER SWITCH OPERATION. SEE SWITCH INSTRUCTION BULLETIN INCLUDED WITH SWITCH KIT.



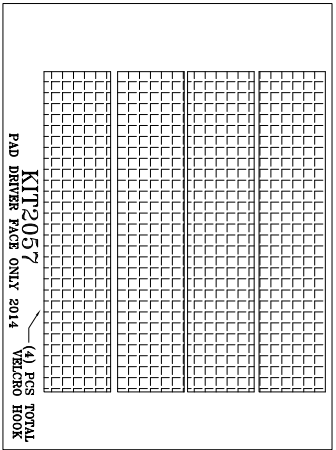
KIT2055
BACKER PAD ASSEMBLY 2014 (RED)

REF	PART NO.	DESCRIPTION	QTY
1	VELCRO LOOP 4 X 16 INCH		2
2	BACKER PAD 20 X 14 (RED)		1

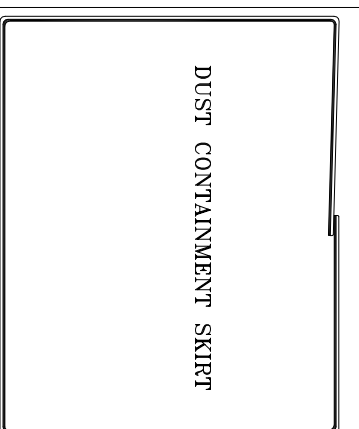


KIT3042
VAC HOSE DUST CONTAINMENT

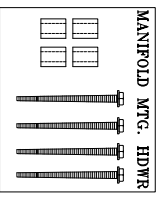
REF	PART NO.	DESCRIPTION	QTY
1	VELCRO LOOP 4 X 16 INCH		2
2	BACKER PAD 20 X 14 (RED)		1
3	VELCRO LOOP 4 X 16 INCH		2
4	VELCRO LOOP 4 X 16 INCH		2
5	VELCRO LOOP 4 X 16 INCH		2



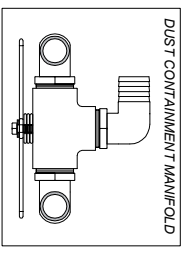
KIT2057
PAD DRIVER FACE ONLY 2014
(4) PDS TOTAL
VELCRO HOOK



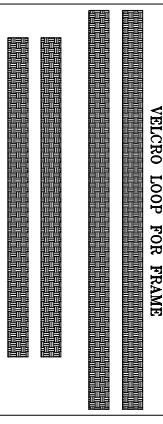
DUST CONTAINMENT SKIRT



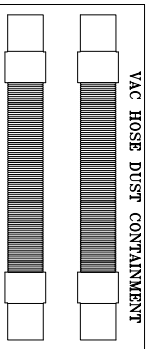
MANIFOLD MTC. HDWR



DUST CONTAINMENT MANIFOLD

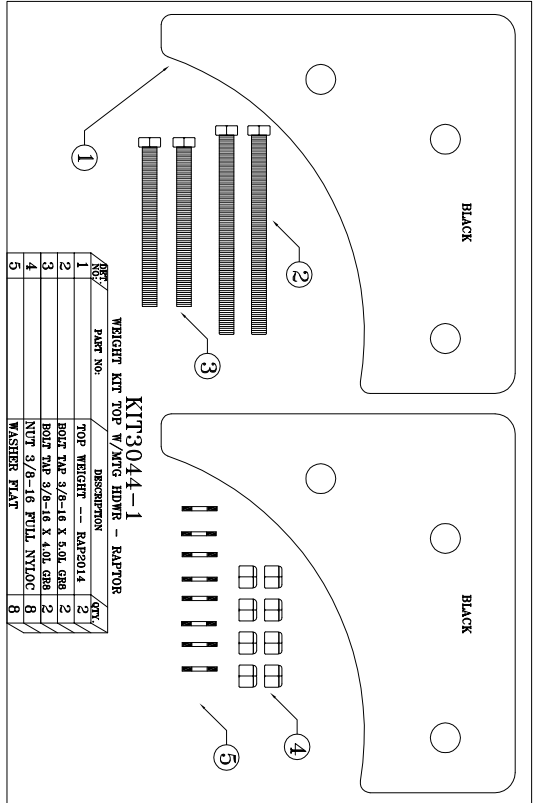


VELCRO LOOP FOR FRAME



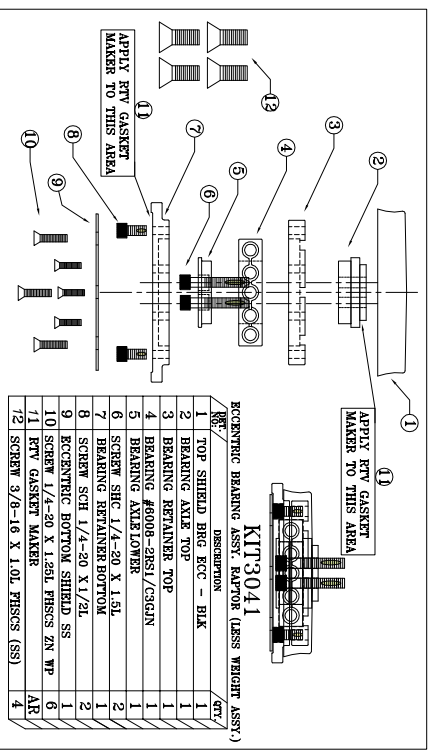
VAC HOSE DUST CONTAINMENT

DUST CONTAINMENT SYSTEM 2014 KIT - RAPTOR
KIT2054



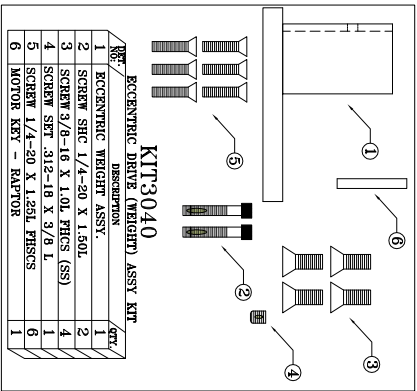
KIT3044-1
WEIGHT KIT TOP w/ MTC HDWR - RAPTOR

REF	PART NO.	DESCRIPTION	QTY
1	TOP WEIGHT	-- RAPE2014	2
2	BOLT TAP 3/8-16 X 5.0L GR8		2
3	BOLT TAP 3/8-16 X 4.0L GR8		2
4	NUT 3/8-16 FULL NYLOC		8
5	WASHER FLAT		8



KIT3041
ECCENTRIC BEARING ASST. RAPTOR (LESS WEIGHT ASSY.)

REF	PART NO.	DESCRIPTION	QTY
1	TOP SHIELD BRG ECC - BLK		1
2	BEARING RING TOP		1
3	BEARING RETAINER TOP		1
4	BEARING #808-2851 /CSGN		1
5	BEARING ASSEMBLY		1
6	SCREW SHC 1/4-20 X 1.5L		2
7	BEARING RETAINER BOTTOM		2
8	SCREW SHC 1/4-20 X 1.2L		2
9	ECCENTRIC BOTTOM SHIELD SS		1
10	SCREW 1/4-20 X 1.25L FHSSCS ZN WP		6
11	RTV GASKET MAKER		1
12	SCREW 3/8-16 X 1.0L FHSSCS (SS)		4



KIT3040
ECCENTRIC DRIVE (WEIGHT) ASSY KIT

REF	PART NO.	DESCRIPTION	QTY
1	ECCENTRIC WEIGHT ASSY.		1
2	SCREW SHC 1/4-20 X 1.50L		2
3	SCREW 3/8-16 X 1.0L FHCS (SS)		4
4	SCREW SHC 3/8-16 X 3/8 L		1
5	SCREW 1/4-20 X 1.25L FHSSCS		6
6	MOTOR K51 - RAPTOR		1

LIMITED WARRANTY

Your HAWK equipment which has been manufactured, tested and inspected in accordance with carefully specified engineering requirements, is warranted to be free from defects in material and workmanship. This Limited Warranty is, however, subject to the Following qualifications, conditions and limitations which are set forth to provide you and all users of the HAWK equipment with information concerning the duration, extent, availability, and applicability of this HAWK Limited Warranty, the procedure to be taken to obtain its performance, and other information concerning the **HAWK Limited Warranty policy**.

The HAWK ENTERPRISES Limited Warranty is extended to the original end user as follows:

Motors 1 year parts and 6 months labor

Non-waer items: 1 year parts replacement and 1 year service labor warranty.

Replacement parts guaranteed for 90 days from date of installation against defects in material and workmanship.

This Limited Warranty will not cover damage attributable to the following:

- (1) Improper, unreasonable or negligent use of abuse of the equipment
- (2) Abrasions or punctures of the equipment.

The start date of the Limited Warranty coverage shall be the purchase date of the original end user or six months from the date the machine was shipped from the Factory, whichever comes first.

PARTS OF EQUIPMENT NOT COVERED BY THE LIMITED WARRANTY

Certain parts of equipment require replacement in the ordinary use due to normal wear by reason of their characteristics. Normal wear items such as cords, switches, bumpers, bearings, isolators, compensators, capacitors etc. are excluded from the Limited Warranty.

EXCEPTIONS AND EXCLUSIONS FROM THE LIMITED WARRANTY

This equipment is required to be used on electric current as indicated on the data plate. Otherwise damage, defects, malfunctions or other failure of the equipment arising from use on electric current not as indicated are excepted and excluded from this Limited Warranty. Defects, malfunctions, failure or damage of the equipment caused by improper, unreasonable or neglect use or abuse while in possession of the purchaser are likewise excluded from this warranty. If repair is done on your equipment by anyone other than those designated as authorized to perform such work without first having obtained factory instructions, HAWK ENTERPRISES at its sole option, my determine that this warranty will not apply and that reimbursement for such repair will not be made because of the failure to comply with such factory specified instructions.

PROCEDURE TO BE TAKEN TO OBTAIN PERFORMANCE OF LIMITED WARRANTY REPAIR

To secure repair of the equipment or any warranted parts under this Limited Warranty, the following procedure should be taken. The inoperative equipment or warranted parts, together with satisfactory evidence of the purchase date, must be delivered, with shipping and delivery charges prepaid, to one of the following:

- (1) The dealer from whom purchased;
- (2) Any HAWK distributor's service department in the United States;
- (3) Any HAWK authorized service station in the United States.

If you are unable to locate any of the foregoing, you may write or otherwise communicate with HAWK ENTERPRISES before repair service is performed by anyone else. In such event, HAWK ENTERPRISES will provide either the location or a closely available HAWK distributor service department, or HAWK authorized service station or other factory instructions. Upon compliance with the above procedure, all warranted defects will be repaired, at no additional charge or costs to the customer, and the repaired product returned to the customer, with all shipping and delivery charges pre-paid. In following the procedures set forth, PLEASE MAKE CERTAIN to state the model, type and serial number as shown on the data plate of the equipment.

REPLACEMENT

In the event of a defect, malfunction or failure of your HAWK equipment or any warranted part to conform with this warranty, HAWK may, at its sole option and own expense, replace the equipment or any warranted part with another new, identical or reasonably equivalent model or part in lieu or repairing the defect. **DO NOT** return any equipment or part to the factory without prior authorization.

NO REFUND OF PURCHASE PRICE

HAWK ENTERPRISES **WILL NOT**, as a matter of it's Limited Warranty policy, refund the customer's purchase price.

LIMITED WARRANTY REGISTRATION CARD FOR YOUR EQUIPMENT AND REQUEST FOR INFORMATION

Your HAWK distributor from whom you purchased your equipment is responsible for the registration of your Limited Warranty with the factory. Any information or questions you may have concerning your HAWK ENTERPRISES equipment or this Limited Warranty may likewise be secured from the factory. This Limited Warranty will give you specific legal rights, and you may also have other rights which vary from state to state.